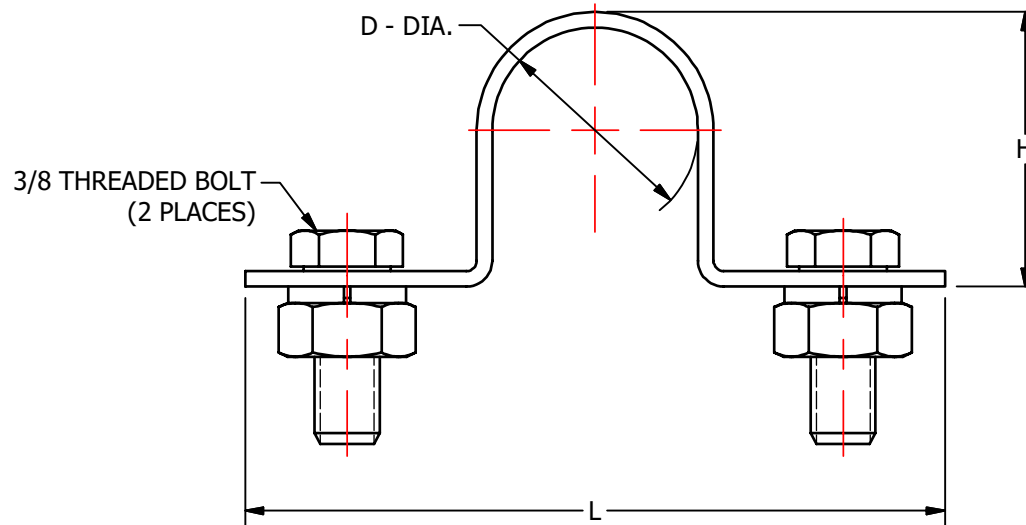
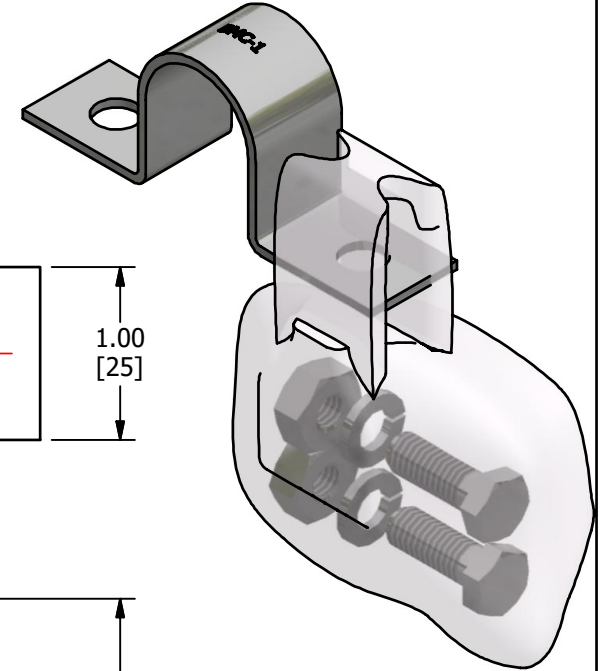
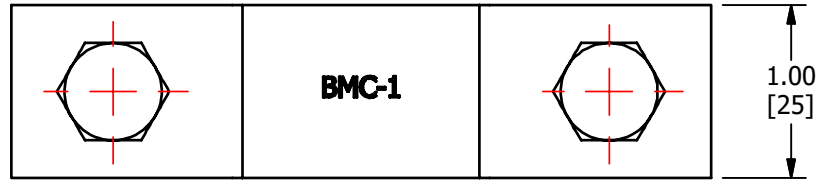


S.NO	CATALOG NUMBER	L	H	D
1	BA3CSB-1	4.06 [103]	1.50 [38]	1.20 [30]
2	BA3CSB-2	5.06 [129]	2.5 [64]	2.19 [56]
3	BA3CSB-3	6.75 [171]	3.5 [89]	3.45 [88]
4	BA3CSB-3.5	5.63 [143]	3.91 [99]	3.19 [81]
5	BA3CSB-4	7.00 [178]	4.50 [114]	4 [102]
6	BA3CSB-6	10.5 [267]	6.00 [125]	7.75 [197]



HARDWARES ARE SUPPLIED IN SEPARATE
PACK WITH CONDUIT STRAP

					TO ORDER CMC PRODUCTS	DRAWN BY: TS 03-19-20	NAME OF PART: CONDUIT STRAP KITS	CAT. NO.: SEE TABLE
					UNITED STATES 1-513-860-4455	CHECKED BY:	DWG NO: UB20700560-S (CHARTED)	A
					CANADA 1-800-361-6975	DRAWING NOT TO SCALE		SHEET NO: 1 OF 1
					MEXICO 011-52-722-265-4400	DRAWING NOT TO SCALE		
A	NEW DRAWING CREATED		03-19-20	TS	FOR PRODUCT INFO www.cmlugs.com			
REV.	DESCRIPTION	ECN	DATE	INIT.				

THIS INFORMATION IS PROPRIETARY TO CONNECTOR MFG. CO. AND IS NOT TO BE DISCLOSED OUTSIDE OF CONNECTOR MFG. CO. WITHOUT A CONFIDENTIALITY AGREEMENT



CONNECTOR MANUFACTURING CO.

HAMILTON, OHIO